



RemoteSIM

Configurations

User Manual

July 2023

Introduction	3
Requirements	3
LED Indication	4
Configuring Custom SIM Cards Settings	5
Scenario 1: SIM Injector in LAN of Cellular Router	7
Setup topology	7
Configuring the SIM Injector / SIM Injector Mini	7
Configuring the Cellular Router	8
Scenario 2: SIM Injector in WAN of Main Router and Multiple Cellular Routers	11
Setup topology	11
Additional configurations for Cellular Routers	11
Configuration requirements for the main Router	13
Scenario 3: SIM Injector in LAN of Main Router and Multiple Cellular Routers	14
Setup topology	14
Main Router configuration	15
Scenario 4: SIM Injector in LAN of Main Router and Dome with Starlink	16
Setup topology	16
Configuring the MAX HD2 router	17
Configuring the SIM Injector	18
Configuring the HD1 Dome Pro	19
Scenario 5: SIM Injector / SIM Injector Mini in a Remote Location	21
Setup topology	21
Cellular Router configuration	21
How to Check if a Peplink Cellular Router Supports RemoteSIM	23
Monitor the status of the RemoteSIM	23
Appendix A: Declaration	24

Introduction

Peplink has developed a unique technology called RemoteSIM, which allows SIM cards to remotely link to a cellular router. This can be done via cloud or within the same physical network. There are a few key scenarios to fit certain applications.

The purpose of this manual is to provide an introduction on where to start and how to set up for the most common scenarios and uses.

Requirements

- Cellular router that supports RemoteSIM technology.
- SIM Injector.
- SIM card.

Notes:

- Always check for the latest [Firmware version](#) for both the cellular router and the SIM Injector. You can also check for the latest Firmware version on the device's WEB configuration page.
- A list of products that support RemoteSIM can be found on the SIM Injector [WEB page](#). Please check under the section **Supported models**.

SIM Injector Reset and Login Details

How to reset a SIM Injector:

- Hold the reset button for 5-10 seconds. Once the LED status light turns RED, the reset button can be released. SIM Injector will reboot and start with the factory default settings.

The default WEB login settings:

- User: admin
- Password: admin
- IP address: the device only has a DHCP client and no fallback IP address.. Therefore, it is advised to check every time what IP address is assigned to the SIM Injector.

Notes:

- The SIM Injector can be monitored via InControl 2. Configuration is not supported.

LED Indication

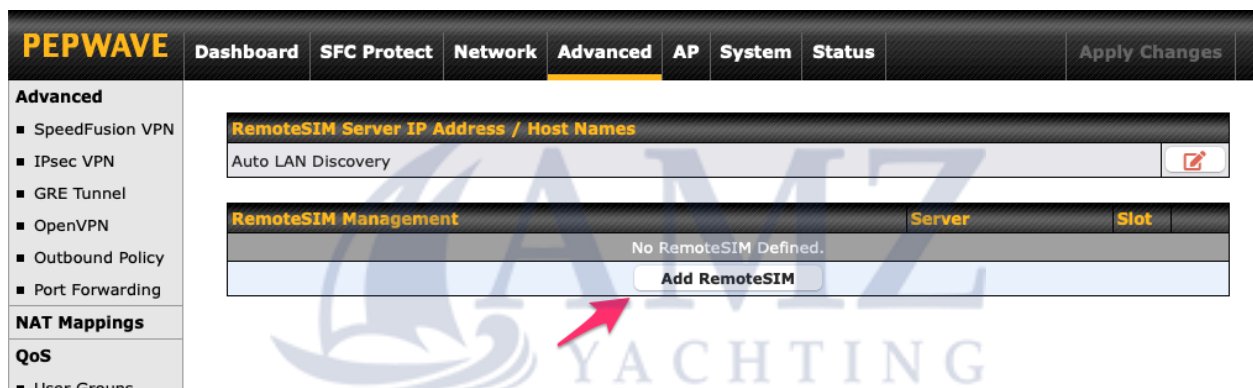
There are 8 SIM LED indicators and a Status LED indicator. The statuses indicated by the LEDs are as follows:

LED indicator	Light behavior	Description
Status	Blinking GREEN	Obtaining IP address
	Solid GREEN	Ready
	Blinking RED	Upgrading Firmware
	Solid RED	Restoring Factory Defaults
SIM	Off	No SIM inserted
	Blinking GREEN	SIM in use
	Solid GREEN	SIM standby
SIM Injector (Left Ethernet LED)	Off	Port is not connected
	Blinking ORANGE	Data is transferring
	Solid ORANGE	Port is connected without traffic
SIM Injector (Right Ethernet LED)	Off	PoE is disabled
	Solid GREEN	PoE enabled
SIM Injector Mini (Middle Ethernet LED)	Off	Port is not connected
	Blinking GREEN	Data is transferring
	Solid GREEN	Port is connected without traffic

Configuring Custom SIM Cards Settings

For applications when the SIM Injector is used, sometimes there might be a need to set custom cellular settings (e.g. APN, enable Roaming, etc). This is done on the router which is getting the RemoteSIM from the SIM Injector.

1. To start go:
 - For a Balance router, go to the **Network** (Top tab).
 - For a MAX router, go to the **Advanced** (Top tab).
2. Then Under **Misc. settings** (Left-side tab) click on **RemoteSIM Management**.
3. Click on the **Add RemoteSIM** button.



Next, fill in all the required info. The setting will apply only to a single SIM which is inserted in the SIM slot as defined in the settings.

PEPWAVE Dashboard SFC Protect Network **Advanced** AP System Status Apply Changes

Advanced

- SpeedFusion VPN
- IPsec VPN
- GRE Tunnel
- OpenVPN
- Outbound Policy
- Port Forwarding

NAT Mappings

QoS

- User Groups
- Bandwidth Control
- Application Queue
- Application

Firewall

- Access Rules
- Content Blocking

Routing Protocols

- OSPF & RIPv2
- BGP

Add RemoteSIM

RemoteSIM

SIM Server	<input type="text" value="New SIM Server..."/>
SIM Server - Serial Number	<input type="text" value="XXXXXXXXXX"/>
SIM Server - Name	<input type="text" value="SIM Injector Mini"/>
SIM Slot	<input type="text" value="1"/>
SIM Slot - Name	<input type="text" value="Optional"/>
Data Roaming	<input type="checkbox"/>
Operator Settings	<input checked="" type="radio"/> Auto <input type="radio"/> Custom
APN	<input type="text"/>
Username	<input type="text"/>
Password	<input type="text"/>
Confirm Password	<input type="text"/>
SIM PIN (Optional)	<input type="text"/> (Confirm)

This section allows defining custom requirements for a SIM card located in a certain SIM slot:

- Enable/Disable roaming (by default roaming is disabled).
- Add Custom mobile operator settings (APN, user name, password).

SIM Server - Serial Number > Enter SIM Injector S/N

SIM Slot > select SIM Injector slot to which SIM card the settings should be applied.

Data Roaming > enable data Roaming. By default Roaming is disabled.

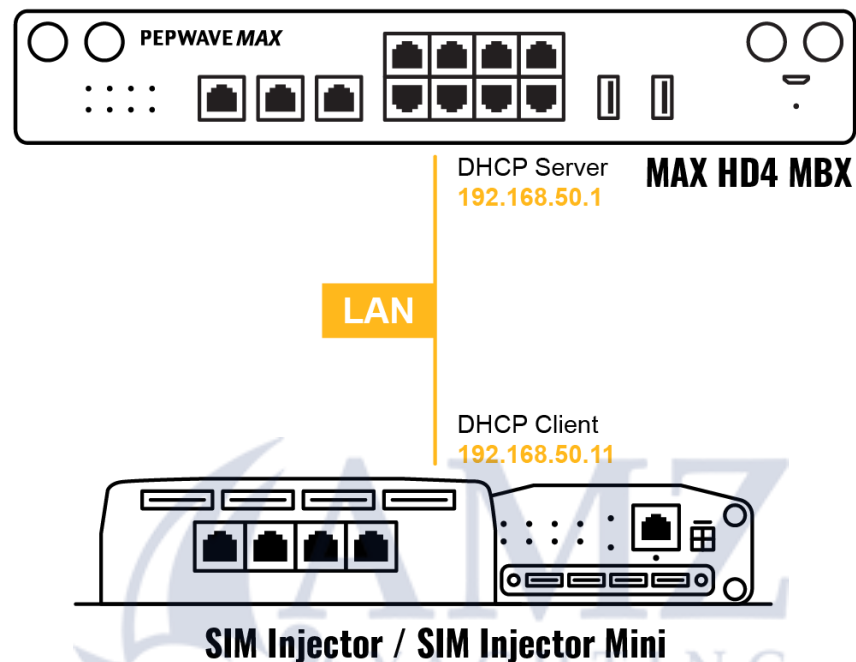
Operator Settings > select Customer to enter custom settings.

4. Repeat configuration for all SIM cards which need custom settings.

5. Click **Save** and then **Apply Changes** to take effect.

Scenario 1: SIM Injector in LAN of Cellular Router

Setup topology



This is the most basic scenario in which the SIM Injector / SIM Injector Mini (hereinafter referred to as SIM Injector) is connected directly to the cellular router's LAN port via an ethernet cable. This allows for the cellular router to be positioned for the best possible signal. Meanwhile, the SIM cards can be conveniently located in other locations such as the office, passenger area, or the bridge of a ship. The SIM Injector allows for easily swapping SIM cards without needing to access a cellular router.

IMPORTANT: Cellular WAN will not fallback to the local SIM if it is configured to use the SIM Injector.

Configuring the SIM Injector / SIM Injector Mini

1. Connect the SIM Injector to the LAN port of the cellular router.
2. Insert SIM cards into the SIM Injector. The SIM cards will be automatically detected.

IMPORTANT: SIM cards inserted into SIM Injector must not have a PIN code.

Note 1: The SIM Injector gets its IP address via DHCP and doesn't have a static IP address. To find it's address, please check the DHCP lease on the cellular router.

Configuring the Cellular Router

Step 1. Enable the SIM Injector communication protocol.

- 1a. If you are using a Balance cellular router, go to the **Network** tab (top navigation bar).
- 1b. If you are using a MAX cellular router, go to the **Advanced** tab (top navigation bar).
2. Under **Misc. settings** (left navigation bar) find **Remote SIM Management**.
3. In **Remote SIM Management**, click on the edit icon next to **Remote SIM is Disabled**.



4. Check the **Auto LAN discovery** checkbox and click **Save** and **Apply Changes**.



5. Click **Save** and then **Apply Changes**.

Step 2. Enable RemoteSIM for the selected Cellular interface.

1. Go to **Network** (top navigation bar), then **WAN** (left navigation bar) and click **Details** for a selected cellular WAN. This will open the WAN Connection Settings page.

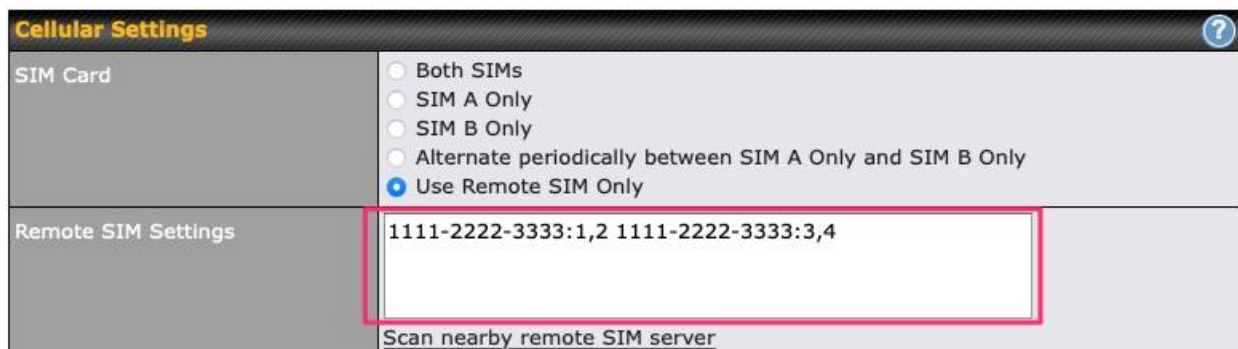


2. Scroll down to **Cellular settings**.
3. In the **SIM Card** section, select **Use Remote SIM Only**.



4. Enter configuration settings in the **Remote SIM Settings** section. Click on **Scan nearby remote SIM server** to show the serial number(s) of the connected SIM Injector(s). Available configuration options for cellular interface are shown below:

- A. Defining SIM Injector(s)
 - Format: <S/N>
 - Example 1: 1111-2222-3333
 - Example 2: 1111-2222-3333 4444-5555-6666
- B. Defining SIM Injector(s) SIM slot(s):
 - Format: <S/N:slot number>
 - Example 1: 1111-2222-3333:7,5 (the Cellular Interface will use SIM in slot 7, then 5)
 - Example 2: 1111-2222-3333:1,2 1111-2222-3333:3,4 (the cellular Interface will use SIM in slot 1, then in 2 from the first SIM Injector, and then it will use 3 and 4 from the second SIM Injector).



Note: It is recommended to use different SIM slots for each cellular interface.

5. Click **Save** and **Apply Changes**.

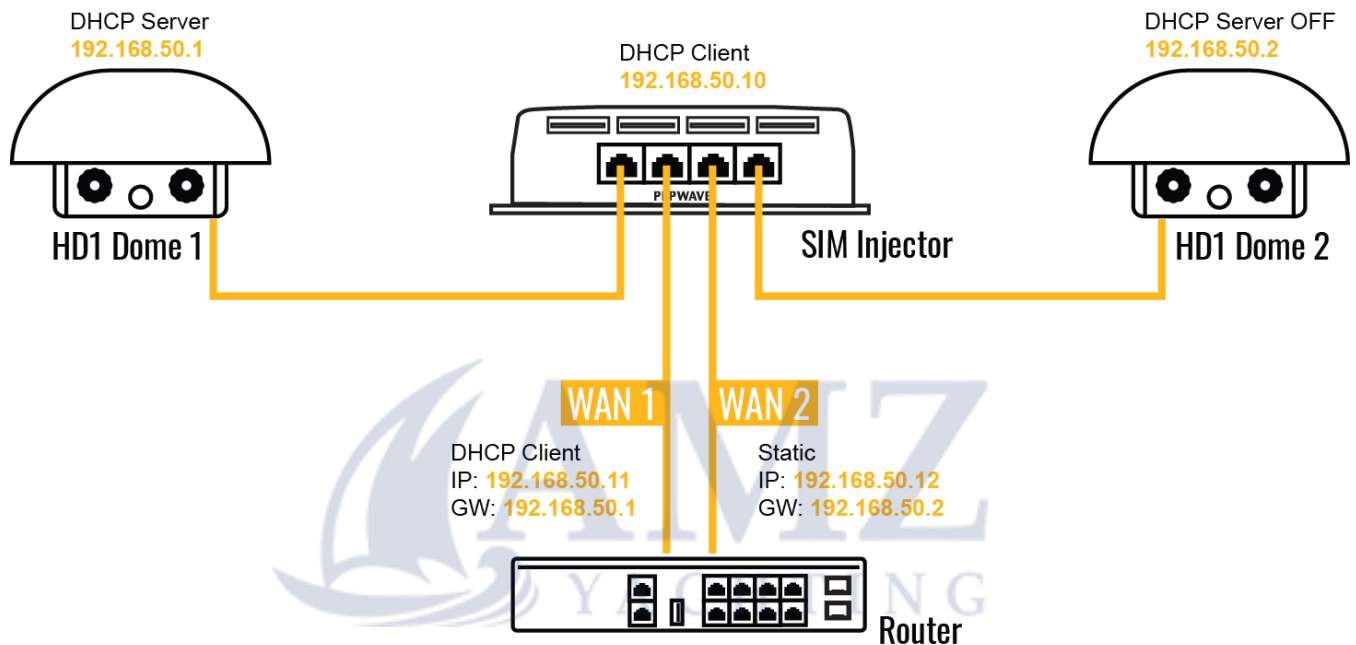
Step 3. (Optional) Custom SIM cards settings.

- 1a. For a Balance router, go to the **Network** (Top tab).
- 1b. For a MAX router, go to the **Advanced** (Top tab).
2. Under **Misc. settings** (Left-side tab) find **Remote SIM Management**.
3. Click on the **Add Remote SIM** button, fill in all the required info and click **Save**. This section allows defining custom requirements for a SIM card located in a certain SIM slot:
 - Enable/Disable roaming (by default roaming is disabled).
 - Add Custom mobile operator settings (APN, user name, password).
4. Repeat configuration for all SIM cards which need custom settings.
5. Click **Apply Changes** to take effect.



Scenario 2: SIM Injector in WAN of Main Router and Multiple Cellular Routers

Setup topology



In this scenario, each HD Dome creates a WAN connection to the main router. A single SIM Injector is used to provide SIM cards for each HD Dome. The HD Dome can be replaced with any Peplink cellular router supporting RemoteSIM technology.

This scenario requires the completion of the configuration steps shown in Scenario 1 in addition to the configuration steps explained below.

Additional configurations for Cellular Routers

Step 1. Disable the DHCP server.


- HD Dome 1 should act as a DHCP server.
- HD Dome 2 should be configured to have a static IP address with DHCP disabled.
- Both routers should be in the same subnet (e.g. 192.168.50.1 and 192.168.50.2).

1. Go to **Network** (Top tab), then **Network Settings** (Left-side tab), and click on **Untagged LAN**. This will open up the LAN settings page.
2. Change the IP address to 192.168.50.2.
3. In the **DHCP Server** section, uncheck the checkbox to disable DHCP Server.
4. Click **Save** and **Apply Changes**.

Step 2. Ethernet port configuration

The Ethernet port must be set to **ACCESS** mode for each HD Dome. To do this, dummy VLANs need to be created first.

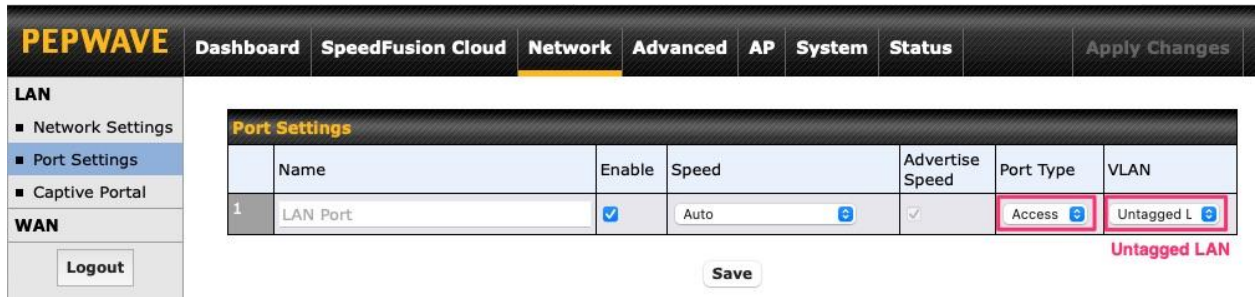
1. Go to **Network** (Top tab), then **Network Settings** (Left-side tab), and click on **New LAN**. This will open the settings page to create a dummy VLAN.
2. The image below shows the values that need to be changed to create a new VLAN:



LAN	
IP Settings	
IP Address	192.168.10.1 255.255.255.0 (/24)
Network Settings	
Name	VLAN10
VLAN ID	10
Inter-VLAN routing	<input checked="" type="checkbox"/>
Captive Portal	<input type="checkbox"/>
DHCP Server	
DHCP Server	<input type="checkbox"/> Enable
DHCP Server Logging	<input type="checkbox"/>
IP Range	- 255.255.255.0 (/24)

Note: set different IP addresses for each HD dome (e.g. 192.168.10.1 and 192.168.10.2).

3. Click Save and **Apply Changes**.
4. Go to **Network** (Top tab), then **Port Settings** (Left-side tab).
5. Set the Port Type to **Access** and set VLAN to **Untagged LAN** (see picture below).



The screenshot shows the Peplink PEPWAVE web interface. The top navigation bar includes 'Dashboard', 'SpeedFusion Cloud', 'Network', 'Advanced', 'AP', 'System', 'Status', and 'Apply Changes'. The left sidebar shows 'LAN' settings, with 'Port Settings' selected. The main content area displays the 'Port Settings' configuration table:

	Name	Enable	Speed	Advertise Speed	Port Type	VLAN
1	LAN Port	<input checked="" type="checkbox"/>	Auto	<input checked="" type="checkbox"/>	Access	Untagged LAN

Below the table is a 'Save' button. The 'Access' and 'Untagged LAN' values in the table are highlighted with red boxes. The text 'Untagged LAN' is also displayed in red below the table.

6. Click **Save** and **Apply Changes**.

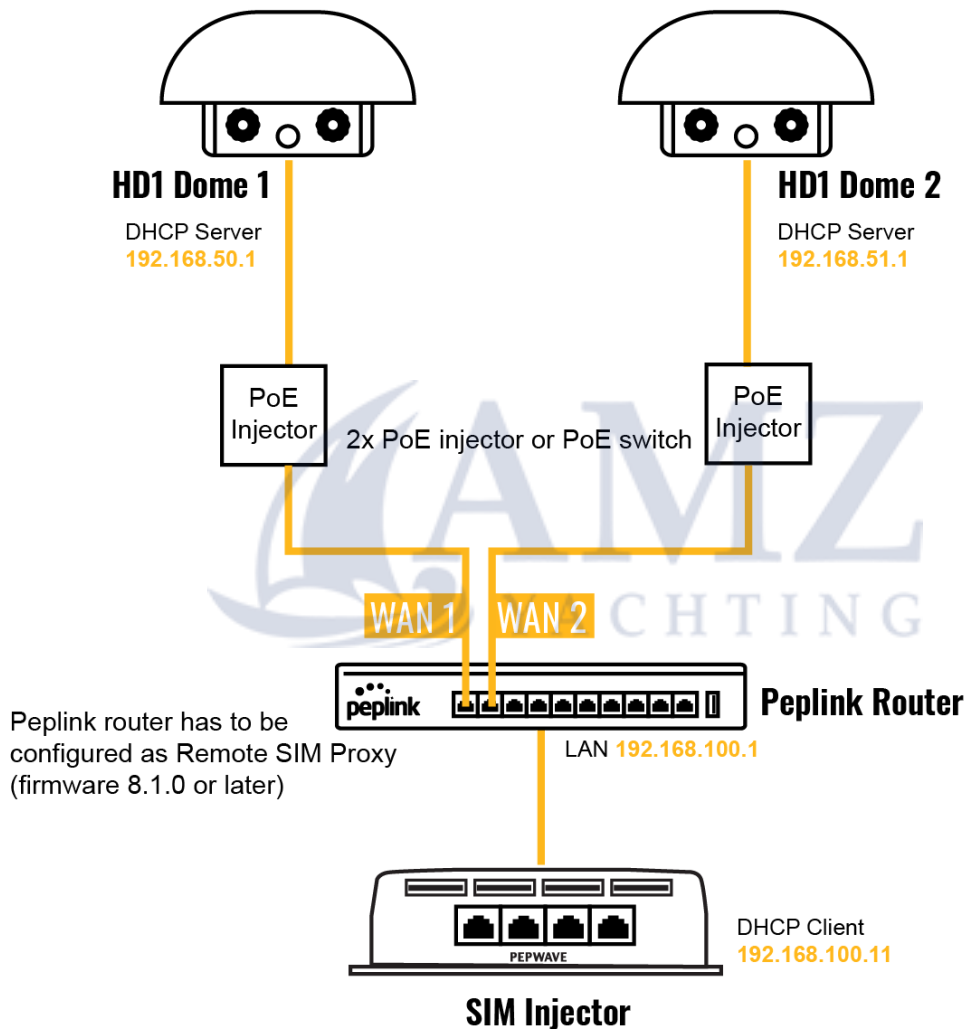
Configuration requirements for the main Router

Requirements for the main router are:

- Configure **WAN 1** as a DHCP client.
- **WAN 1** will automatically get the Gateway IP address from HD Dome 1.
- Configure **WAN 2** as a Static IP and set it to 192.168.50.12.
- Configure **WAN 2** Gateway to 192.168.50.2. Same as the HD Dome 2's IP address.

Scenario 3: SIM Injector in LAN of Main Router and Multiple Cellular Routers

Setup topology



In this scenario, SIMs are provided to the HD Domes via the main router. In this example, the **Remote SIM Proxy** functionality needs to be enabled on the main router.

Notes:

- HD Dome can be replaced with any other cellular router that supports RemoteSIM.

- It is recommended to use Peplink [Balance series](#) or [X series](#) routers as the main router.

This scenario requires the completion of the configuration steps for the cellular router and the SIM Injector as in Scenario 1. The configuration for the main router is explained below.

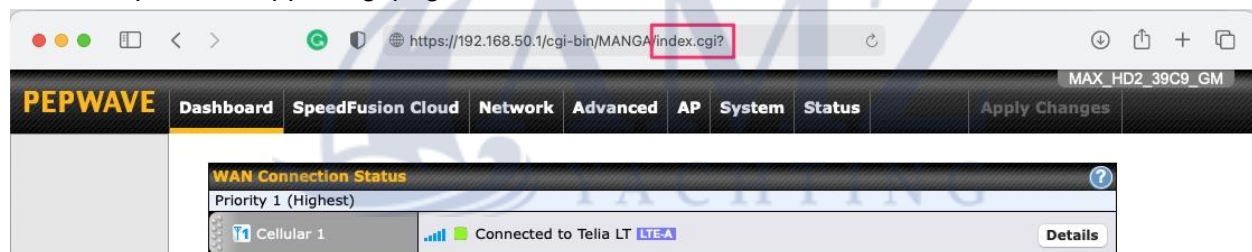
Main Router configuration

IMPORTANT: Main router LAN side and Cellular Routers must be configured using different subnets, e.g. 192.168.**50**.1/24 and 192.168.**100**.1/24.

Note: please make sure the Peplink router is running Firmware 8.1.0 or above.

1. Open the main router WEB interface and change:
From <IP address>/cgi-bin/MANGA/**index.cgi** to <IP address>/cgi-bin/MANGA/**support.cgi**.

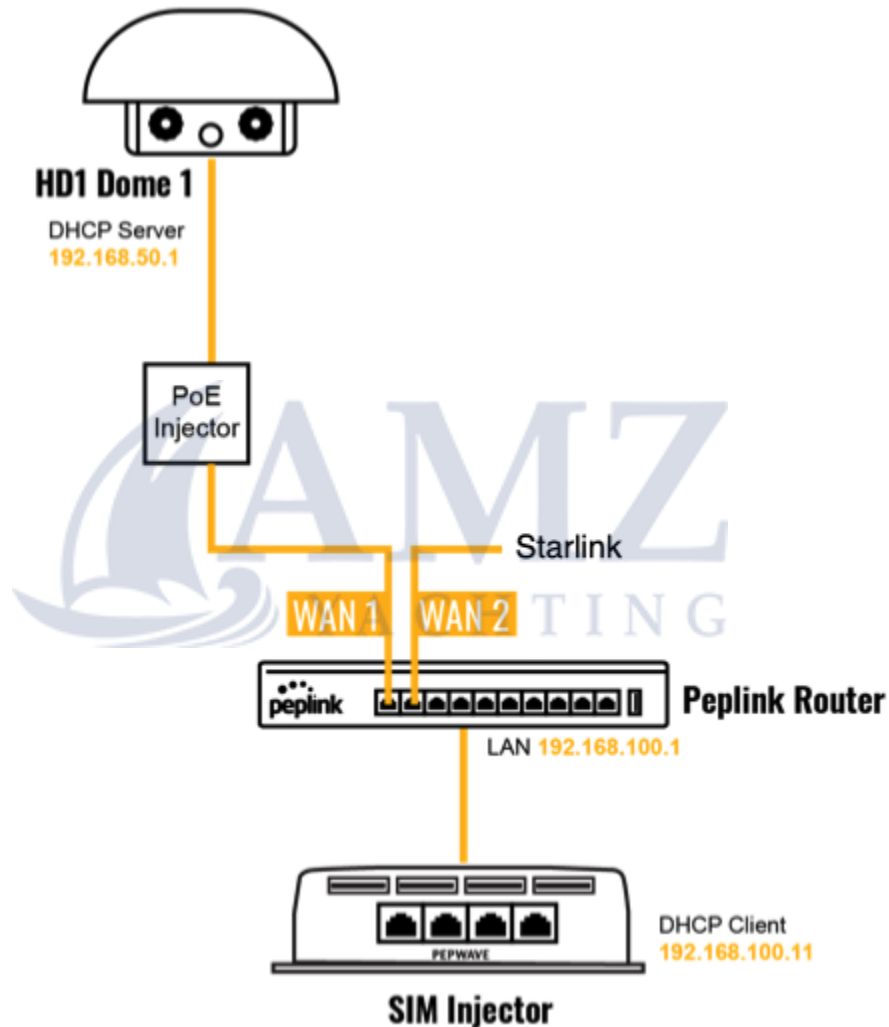
This will open the support.cgi page.



2. Scroll down to find **Remote SIM Proxy** and click on **[click to configure]** that is located next to it.
3. Check the **Enable** checkbox.
4. Click on **Save**.
5. Go back to the index.cgi page and click on **Apply Changes**.

Scenario 4: SIM Injector in LAN of Main Router and Dome with Starlink

Setup topology



Equipment used:

- HD1 Dome Pro (MAX-HD1-DOM-PRO-5GD), FW version 8.2.1
- MAX HD2 (MAX-HD2-LTEA-W-T), FW version 8.2.1
- SIM Injector Mini (SIM-MINI-8-1E), FW version 1.1.120

Configuring the MAX HD2 router

IMPORTANT: Main router LAN side and Cellular Routers must be configured using different subnets, e.g. 192.168.**50**.1/24 and 192.168.**100**.1/24.

Step 1. Change router subnet to 192.168.100.1/24.

1. Go to Network tab, then click on LAN network

The screenshot shows the Peplink PEPWAVE web interface. The top navigation bar includes 'Dashboard', 'SpeedFusion Connect', 'Network' (highlighted), 'Advanced', 'AP', 'System', 'Status', and 'Apply Changes'. On the left sidebar, 'LAN' is selected, with sub-items 'Network Settings', 'Port Settings', and 'Captive Portal'. The main content area shows a table with columns 'LAN', 'VLAN', and 'Network'. The first row is 'Untagged LAN' with 'None' in the VLAN column and '192.168.50.1/24' in the Network column. A red box highlights 'Untagged LAN' with a red arrow pointing to it. Below the table is a 'New LAN' button. Further down is a 'Static Route Settings' section with a table for 'Static Route' with columns 'Destination Network', 'Subnet Mask', and 'Gateway'.

2. Change IP addresses to the new subnet:

The screenshot shows the configuration page for the 'LAN' network. The top navigation bar is the same as in the previous screenshot. The left sidebar shows 'LAN' selected. The main content area is titled 'LAN' and contains several sections:

- IP Settings:** 'IP Address' is set to 192.168.100.1 (highlighted with a red box and arrow). The subnet mask is 255.255.255.0 (/24).
- Network Settings:** 'Name' is empty. 'Inter-VLAN routing' is checked. 'Captive Portal' is unchecked.
- Drop-In Mode Settings:** 'Enable' is unchecked.
- DHCP Server:** 'DHCP Server' is checked. 'DHCP Server Logging' is unchecked. 'IP Range' is set to 192.168.100.10 to 192.168.100.250 (both IP addresses highlighted with red boxes and arrows). The subnet mask is 255.255.255.0 (/24). 'Lease Time' is 1 Day 0 Hours 0 Mins. 'DNS Servers' is checked with the option 'Assign DNS server automatically'.

3. Click on **Save**.

4. Go back to the index.cgi page and click on **Apply Changes**.

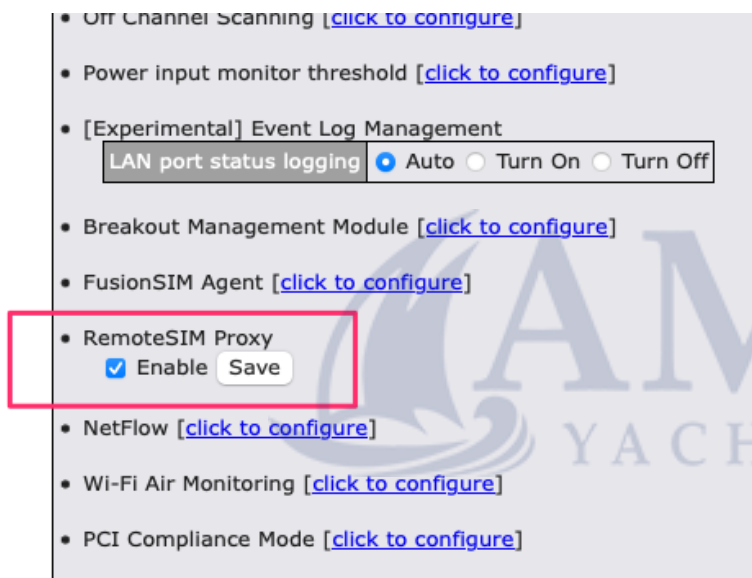
Step 2. Enable the Remote SIM Proxy

1. Open the main router WEB interface and change:

From 192.168.100.1/cgi-bin/MANGA/**index.cgi** to 192.168.100.1/cgi-bin/MANGA/**support.cgi**

2. Scroll down to find **Remote SIM Proxy** and click on **[click to configure]** that is located next to it.

3. Check the **Enable** checkbox.



4. Click on **Save**.

5. Go back to the index.cgi page and click on **Apply Changes**.

Configuring the SIM Injector

There is no need to configure a SIM Injector mini. Once the HD2 router configuration is finished you power on SIM Injector mini.

IMPORTANT: in case SIM Injector Mini was connected to HD2 before its configuration, then need to power off and then power on SIM Injector Mini.

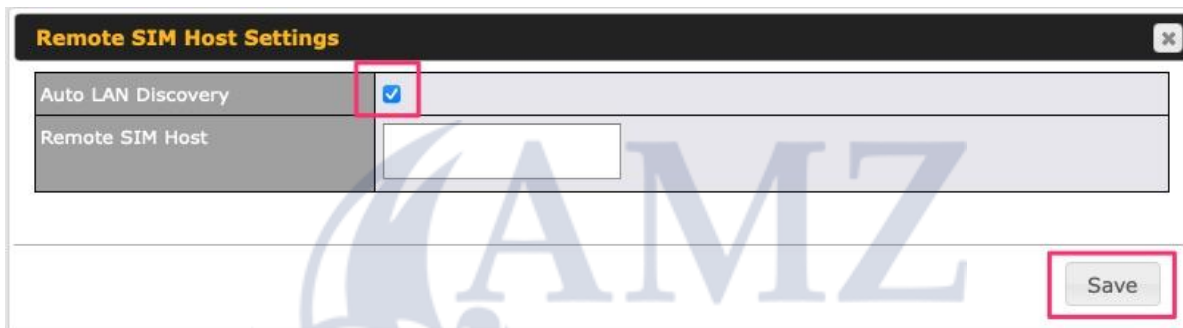
Configuring the HD1 Dome Pro

Step 1. Enable the SIM Injector communication protocol.

1. By default the HD1 Dome Pro IP address is 192.168.50.1. Open WEB based configuration interface and then go to **Advanced** tab (top navigation bar).
2. Under **Misc. settings** (left navigation bar) find **Remote SIM Management**.
3. In **Remote SIM Management**, click on the edit icon next to **Remote SIM is Disabled**.



4. Check the **Auto LAN discovery** checkbox and click **Save** and **Apply Changes**.



5. Click **Save** and then **Apply Changes** and **reboot the HD1 Dome Pro**.

Step 2. Enable RemoteSIM for the selected Cellular interface.

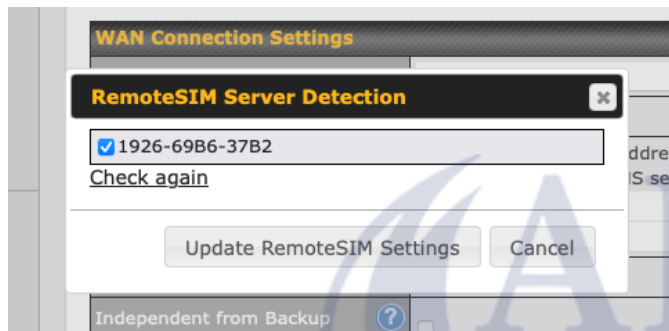
1. Go to **Network** (top navigation bar), then **WAN** (left navigation bar) and click **Details** for a selected cellular WAN. This will open the WAN Connection Settings page.



2. Scroll down to **Cellular settings**.
3. In the **SIM Card** section, select **Use Remote SIM Only**.



4. Click **Scan nearby remote SIM server**. The system must find the SIM Injector Mini serial number as shown below.



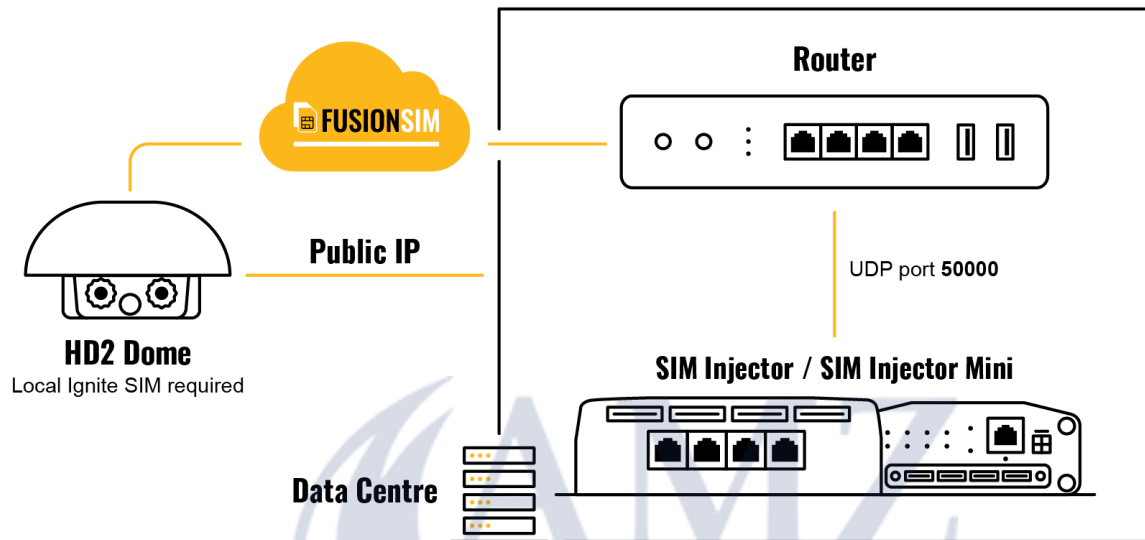
5. Click Update RemoteSIM Settings.
6. Click **Save** and **Apply Changes**.

Step 3. (Optional) Custom SIM cards settings.

1. For a MAX router, go to the **Advanced** (Top tab).
2. Under **Misc. settings** (Left-side tab) find **Remote SIM Management**.
3. Click on the **Add Remote SIM** button, fill in all the required info and click **Save**. This section allows defining custom requirements for a SIM card located in a certain SIM slot:
 - Enable/Disable roaming (by default roaming is disabled).
 - Add Custom mobile operator settings (APN, user name, password).
4. Repeat configuration for all SIM cards which need custom settings.
5. Click **Apply Changes** to take effect.

Scenario 5: SIM Injector / SIM Injector Mini in a Remote Location

Setup topology



Requirements for installing a SIM Injector / SIM Injector Mini (hereinafter referred to as SIM Injector) in a remote location:

- Cellular router communicates with the SIM Injector via UDP port 50000. Therefore this port must be reachable via public IP over the Internet.
- The one way latency between the cellular router and the SIM Injector should be **up to 250 ms**. A higher latency may lead to instability issues.
- The cellular router must have Internet connection to connect to the SIM Injector. It can be another Internet connection via Ethernet or Fiber if possible, or a secondary cellular interface with a local SIM (Ignite SIM).
- Due to its high latency, it is not recommended to use satellite WAN for connecting to a SIM Injector in remote locations.

SIM Injector configuration is the same as in Scenario 1.

Cellular Router configuration

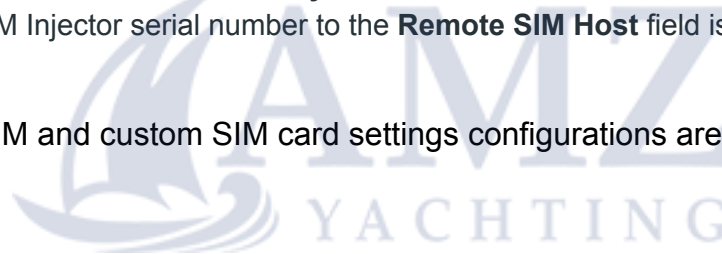
Step 1. Enable the SIM Injector communication protocol.

- 1a. For a Balance cellular router, go to the **Network** (Top tab).
- 1b. For a MAX cellular router, go to the **Advanced** (Top tab).
2. Under **Misc. settings** (Left-side tab), find **Remote SIM Management**.
3. In **Remote SIM Management**, click on the edit icon next to **Remote SIM is Disabled**.
4. Enter the public IP of the SIM Injector and click **Save** and **Apply Changes**.

Remote SIM Host Settings	
Auto LAN Discovery	<input type="checkbox"/>
Remote SIM Host	84.199.92.62

Notes:

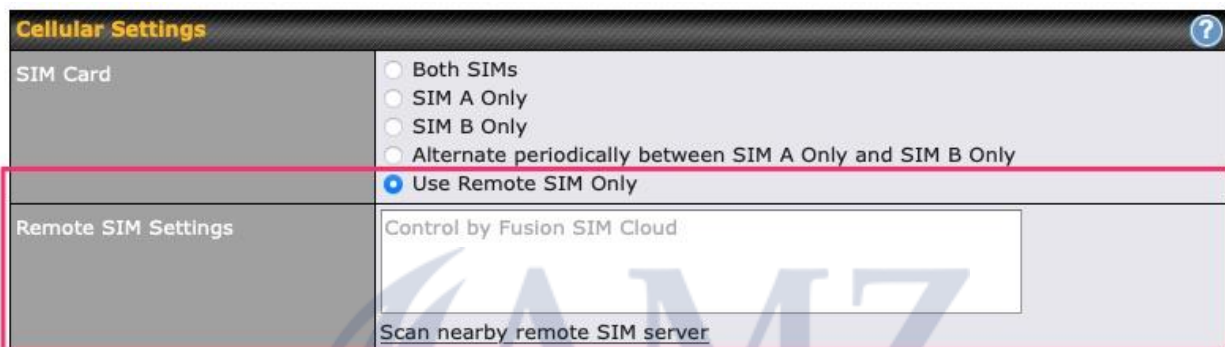
- Do NOT check **Auto LAN Discovery**.
- Adding a SIM Injector serial number to the **Remote SIM Host** field is a mistake!

Step 2. RemoteSIM and custom SIM card settings configurations are the same as in Scenario 1.

How to Check if a Peplink Cellular Router Supports RemoteSIM

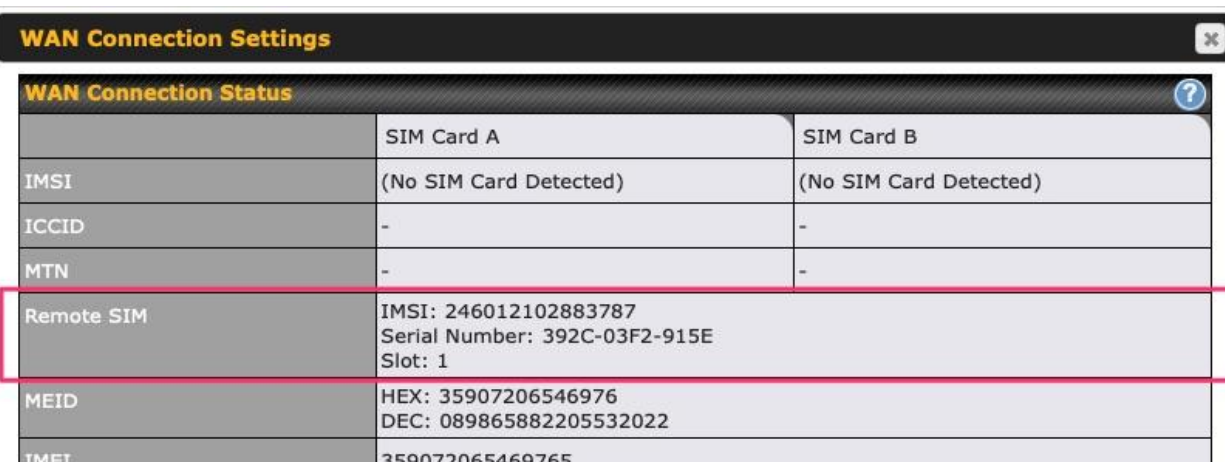
1. Go to **Network** (Top tab), then **WAN** (Left-side tab), and click **Details** on any cellular WAN. This will open the WAN Connection Settings page.
2. Scroll down to **Cellular settings**.

If you can see the **Remote SIM Settings** section, then the cellular router supports RemoteSIM.



Monitor the status of the RemoteSIM

1. Go to **Network** (Top tab), then **WAN** (Left-side tab), and click **Details** on the cellular WAN which was configured to use RemoteSIM.
2. Check the **WAN Connection Status** section. Within the cell WAN details, there is a section for **Remote SIM** (SIM card IMSI, SIM Injector serial number and SIM slot).



Appendix A: Declaration

FCC Requirements for Operation in the United States

Federal Communications Commission (FCC) Compliance Notice:

For SIM Injector

Federal Communication Commission Interference Statement

Any changes or modifications not expressly approved by the party responsible for compliance could void your authority to operate the equipment.

This equipment has been tested and found to comply with the limits for a Class B digital device, pursuant to part 15 of the FCC Rules. These limits are designed to provide reasonable protection against harmful interference in a residential installation. This equipment generates, uses and can radiate radio frequency energy and, if not installed and used in accordance with the instructions, may cause harmful interference to radio communications. However, there is no guarantee that interference will not occur in a particular installation. If this equipment does cause harmful interference to radio or television reception, which can be determined by turning the equipment off and on, the user is encouraged to try to correct the interference by one or more of the following measures:

- Reorient or relocate the receiving antenna.
- Increase the separation between the equipment and receiver.
- Connect the equipment into an outlet on a circuit different from that to which the receiver is connected.
- Consult the dealer or an experienced radio/TV technician for help.

This device complies with Part 15 of the FCC Rules. Operation is subject to the following two conditions:

- (1) this device may not cause harmful interference and
- (2) this device must accept any interference received, including interference that may cause undesired operation.

Industry Canada Statement

This product meets the applicable Innovation, Science and Economic Development Canada technical specifications.

Le présent produit est conforme aux spécifications techniques applicables d'Innovation, Sciences et Développement économique Canada.

This device contains licence-exempt transmitter(s)/receiver(s) that comply with Innovation, Science and Economic Development Canada's licence-exempt RSS(s). Operation is subject to the following two conditions:

- (1) This device may not cause interference.
- (2) This device must accept any interference, including interference that may cause undesired operation of the device.

Le present appareil est conforme aux CNR d'Industrie Canada applicables aux appareils radio ex-empts de licence. L'exploitation est autorisée aux deux conditions suivantes:

- (1) l'appareil ne doit pas produire de brouillage, et
- (2) l'utilisateur de l'appareil doit accepter tout brouillage radioélectrique subi, même si le brouillage est susceptible d'en



**FCC Requirements for Operation in the United States
Federal Communications Commission (FCC) Compliance Notice:**

For SIM Injector Mini

Federal Communication Commission Interference Statement

Any changes or modifications not expressly approved by the party responsible for compliance could void your authority to operate the equipment.

This equipment has been tested and found to comply with the limits for a Class B digital device, pursuant to part 15 of the FCC Rules. These limits are designed to provide reasonable protection against harmful interference when the equipment is operated in a commercial environment. This equipment generates, uses, and can radiate radio frequency energy and, if not installed and used in accordance with the instruction manual, it may cause harmful interference to radio communications. Operation of this equipment in a residential area is likely to cause harmful interference, in which case the user will be required to correct the interference at his own expense.

This device complies with Part 15 of the FCC Rules. Operation is subject to the following two conditions:

- (1) this device may not cause harmful interference and
- (2) this device must accept any interference received, including interference that may cause undesired operation.

Industry Canada Statement

This product meets the applicable Innovation, Science and Economic Development Canada technical specifications.

Le présent produit est conforme aux spécifications techniques applicables d'Innovation, Sciences et Développement économique Canada.

This device contains licence-exempt transmitter(s)/receiver(s) that comply with Innovation, Science and Economic Development Canada's licence-exempt RSS(s). Operation is subject to the following two conditions:

- (1) This device may not cause interference.
- (2) This device must accept any interference, including interference that may cause undesired operation of the device.

Le present appareil est conforme aux CNR d'Industrie Canada applicables aux appareils radio ex-empts de licence. L'exploitation est autorisee aux deux conditions suivantes:


- (1) l'appareil ne doit pas produire de brouillage, et
- (2) l'utilisateur de l'appareil doit accepter tout brouillage radioelectrique subi, meme si le brouillage est susceptible d'en



CE Statement for Pepwave Routers (SIM Injector Mini)

DECLARATION OF CONFORMITY

We affirm the electrical equipment manufactured by us fulfils the requirements of the Radio Equipment Directive 2014/53/EU.

Name of manufacturer	PISMO LABS TECHNOLOGY LIMITED
Contact information of the manufacturer	A8, 5/F, HK Spinners Ind. Bldg., Phase 6, 481 Castle Peak Road, Cheung Sha Wan, Kowloon, Hong Kong tel. (852) 2990 7600, fax. (852) 3007 0588 e-mail: cs@peplink.com
Description of the appliance	Peplink Pepwave Product
Model name of the appliance	SIM Injector Mini SIM-MINI-8-1E
Trade name of the appliance	

The construction of the appliance is in accordance with the following standards:

EN 55032:2015 / A1:2020
EN 55035:2017 / A11:2020
EN IEC 61000-3-2:2019/A1:2021
EN 61000-3-3:2013/A2:2021
EN IEC 62368-1:2020 + A11:2020



Yours sincerely,

A handwritten signature in blue ink, appearing to read 'A. Chong'.



Antony Chong
Director of Hardware Engineering
Peplink International Limited


	AT	BE	BG	HR	CY	CZ	DK	EE	FI	FR	DE	EL	HU	IE
	IT	LV	LT	LU	MT	NL	PL	PT	RO	SK	SI	ES	SE	UK(NI)

contact as: <https://www.peplink.com/>



UK Statement for Pepwave Routers (SIM Injector Mini)

UK DECLARATION OF CONFORMITY

Name of manufacturer	PISMO LABS TECHNOLOGY LIMITED
Contact information of the manufacturer	A8, 5/F, HK Spinners Ind. Bldg., Phase 6, 481 Castle Peak Road, Cheung Sha Wan, Kowloon, Hong Kong tel. (852) 2990 7600, fax. (852) 3007 0588 e-mail: cs@peplink.com
Description of the appliance	Peplink Pepwave Product
Model name of the appliance	SIM Injector Mini SIM-MINI-8-1E
Trade name of the appliance	

We declare under sole responsibilities that the above product conforms to the applicable requirements of following relevant UK legislation and designed standards.

UK legislation

Electromagnetic Compatibility Regulations 2016
Electrical Equipment (Safety) Regulations 2016

UK Designed Standard

EN 55032:2015 / A1:2020
EN 55035:2017 / A11:2020
EN IEC 61000-3-2:2019/A1:2021
EN 61000-3-3:2013/A2:2021
EN IEC 62368-1:2020 + A11:2020



Yours sincerely,

A handwritten signature in blue ink, appearing to read 'A. Chong'.



Antony Chong
Director of Hardware Engineering
Peplink International Limited